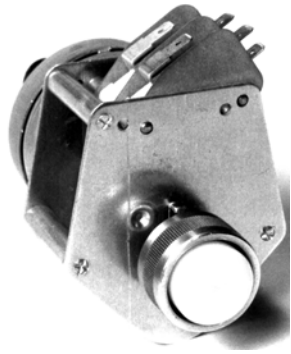




FILE LR28020

PUSHBUTTON TIMERS FOR PANEL MOUNT INSTALLATIONS

CALUS
FILE E47690

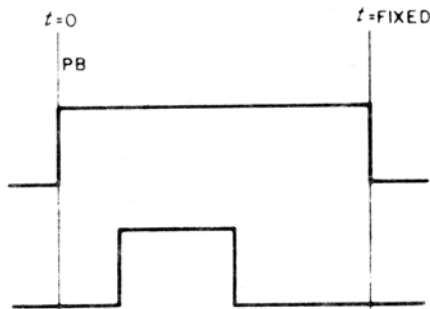


SERIES IPB

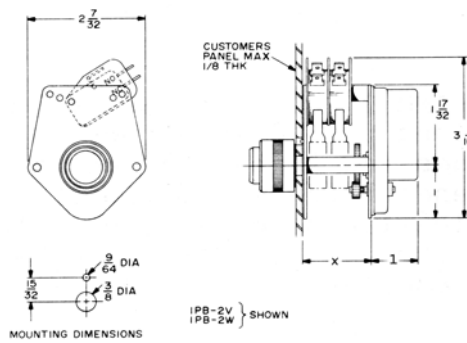
Pushbutton Starts Non- Adjustable Timing Fixed Time Per Cycle

- Interchangeable in field or factory with all known competitive major brands.
- 1 thru 5 pole.
- Switches rated 10, 15, or 21 amperes with .187" or .250" male push-on terminals.
- Broad selection of pushbutton times per cycle.
- All international voltages and frequencies.

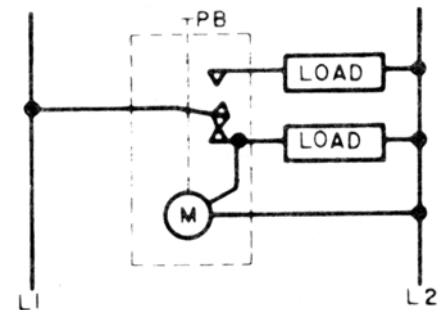
TIMING DIAGRAM
(TYPICAL)



OUTLINE DRAWING



WIRING DIAGRAM
(TYPICAL)



OPERATION The Pushbutton mechanically engages the timer camshaft allowing the timer motor to drive the cam shaft and cam back to zero (time – out). Please note that the timer motor must be wired thru the microswitch actuated by the aluminum cam in order that the warranty on the timer remain in effect. This also keeps the current draw thru the motor circuit to a minimum.

HOW TO ORDER: IPB (N) (SW) / (T) (V) (HZ) (S)

RIES	N = NO. OF POLES	SW = SWITCH TYPE	T = TIME PER CYCLE	V = AC VOLTS	HZ = HERTZ	S = SUFFIX
IPB	1	V1	AS	L = 24V	5 = 50 HZ	FACTORY
	2	W2	REQUIRED BY	D = 120V	6 = 60 HZ	ASSIGNED
	3	H2	CUSTOMER	E = 230V	7 = 50-60 HZ	AS REQUIRED
	4		SELECT FROM			
	5		5 SEC. TO 4 DAYS			

EXAMPLE: IPB3W2/60MD6; Series IPB, 3PDT Switches, Rated 15 Amp, 60 Minutes Time Per Cycle, 120 Volts, 60Hz.

MADE IN USA

AMERICAN CONTROL PRODUCTS
A DIV. OF PRECISION TIMER CO., INC.
47 WESTBROOK INDUSTRIAL PARK ROAD
WESTBROOK, CT. 06498

PHONE: (860)399-6253

FAX: (860)399-5619

EMAIL: info@precisiontimer.com
WEB SITE: precisiontimer.com

TECHNICAL BULLETIN

PANEL MOUNTED PUSHBUTTON TIMERS

PAGE 1
OF 2

DATE
3/9/04

IPB

REV



RATINGS AND OPERATIONAL PARAMETERS

MOTORS

- Permanent magnet synchronous inductor type.
- USA industrial standard pear-shaped configuration.
- UL and CSA approved.
- Enclosed construction.
- Torque rating 30 inch-ounces at 1 RPM.
- Stocked and standard at 120/60.
- Also readily available or stocked for 24/60, 230/60, 24/50, 115/50, and 220/50.
- These motors operate at a speed precisely synchronous with frequency of input power.
- Corrosion resistant.
- Tough, reliable, long lived.
- Reasonable life expectancy exceeding 10,000 hours.
- Fast acceleration. Instant stop.
- Our staff filters all incoming orders to insure adequate motor torque.

Switches (All switches are UL and CSA approved)

V1 – 10 Amperes

- UL rated 10 amperes nominal @ .75 power factor.
- ½ horsepower at 125/250 VAC.
- Enclosed, snap-action, sub-basic size.
- .187 male push-on terminals.
- Form C – SPDT.

W2 – 15 Amperes (WK2 100K Operations)

- UL rated 15 amperes nominal @ .75 power factor.
- ½ horsepower at 125/250 VAC.
- Enclosed, snap-action, sub-basic size.
- .250 Male push-on terminals.
- Form C – SPDT.

H2 – 21 Amperes

- UL rated 21 amperes nominal @250VAC.
- 1hp @ 125 VAC, 2hp @ 250VAC.
- Enclosed, snap-action, sub-basic size.
- .250 male push-on terminals.

Life Expectancy

The life of a switch is a function of the type, magnitude, and number of usages under an applied electrical load. At low electrical load 95% survival is expected at 10,000,000 operations, at full electrical load 95% survival is expected at 150,000 operations, subject to inrush considerations and type of load as to resistive, inductive, or capacitive. Particular attention should be given for high inrush applications such as heaters or lamps as might weld, erode, or cavitate switch contacts. We will gladly assist customers in making a selection.

Camshaft Speed (Time per Cycle)	No. of Switch Operations in One Year	
	Continuous Operation	Fifty 40-hour Weeks
1 sec.	31,557,600	7,200,000
15 sec.	2,103,840	480,000
30 sec.	1,051,920	240,000
1 min.	525,960	120,000
15 min.	35,064	8,000
30 min.	17,532	4,000
1 hr.	8,766	2,000
15 hrs.	584	133
30 hrs.	292	67

AMERICAN CONTROL PRODUCTS

A DIV. OF PRECISION TIMER CO., INC.
47 WESTBROOK INDUSTRIAL PARK ROAD
WESTBROOK, CT. 06498

PHONE: (860)399-6253

FAX: (860)399-5619

EMAIL: info@precisiontimer.com
WEB SITE: www.precisiontimer.com

TECHNICAL BULLETIN

PANEL MOUNTED PUSHBUTTON TIMERS

PAGE 2
OF 2

DATE
3/9/04

IPB

REV