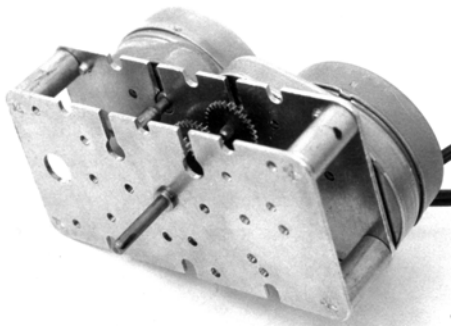


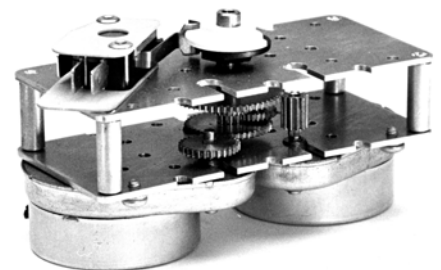
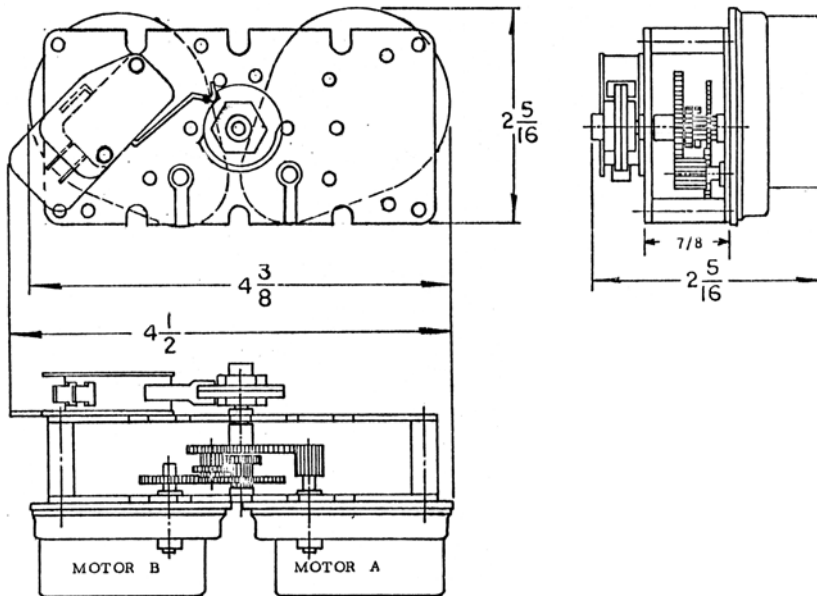
POWER HEADS

Synchronous Motor Driven

DUAL- SPEED DRIVE SERIES 030



- Choice of 3 Speeds.
- Suitable for Powering Small Mechanisms.
- Available with Switches Rated 10, 15, or 21 Amps.
- UL and CSA Components Used in Construction.
- Available in All international Voltages and Frequencies.



This Dual - Speed Drive Series 030 provides the choice of 3 different speeds -- A or B or A±B. The speed is controlled by a simple selector switch. The speeds are obtained from 2 low wattage synchronous motors, each being selectively energized or both at once.

Factory installation on various electromechanical timers creates a choice of different times for the selected timer.

HOW TO ORDER: 030 – "N" (SW)/OUTPUT SPEED "A" - "B" V HZ SUFFIX

SERIES	NO. OF POLES	SWITCH TYPE	OUTPUT SPEEDS "A" - "B"	VOLTS	HZ	SUFFIX
020	1	V1 (10A)	AS	L = 24V	5 = 50 HZ	FACTORY
	2	W2 (15A)	REQUIRED BY	D = 120V	6 = 60 HZ	ASSIGNED AS
		H2 (21A)	CUSTOMER	E = 230V	7 = 50-60 HZ	REQUIRED

EXAMPLE: 030 - H2/1/6-1D6; Series 030 Dual Speed Drive, SPDT Switch, Rated 21Amp, Speed A=1/6RPM, Speed B=1RPM . The input voltage is 120V, 60 Hz.

MADE IN USA

AMERICAN CONTROL PRODUCTS

A DIV. OF PRECISION TIMER CO., INC.
47 WESTBROOK INDUSTRIAL PARK ROAD
WESTBROOK, CT. 06498

PHONE: (860)399-6253

FAX: (860)399-5619

EMAIL: info@precisiontimer.com
WEB SITE: precisiontimer.com

TECHNICAL BULLETIN

POWER HEADS

PAGE 1
OF 2

DATE
3/22/04

030

REV

RATINGS AND OPERATIONAL PARAMETERS

Motors

- Permanent magnet synchronous inductor type.
- USA industrial standard pear-shaped configuration.
- UL and CSA approved.
- Enclosed construction.
- Rated 3 watts @ 120/60 VAC.
- Torque rating 30 inch-ounces at 1 RPM.
- Stocked and standard at 120/60.
- Also readily available or stocked for 24/60, 230/60, 24/50, 115/50, and 220/50.
- These motors operate at a speed precisely synchronous with frequency of input power.
- Special motors available on request, such as reversible, variable speed, extra fast, extra slow, hi-torque, direct current, etc.
- Corrosion resistant.
- Tough, reliable, long-lived.
- Reasonable life expectancy exceeding 10,000 hours.
- Fast acceleration. Instant stop.
- Our staff filters all incoming orders to ensure adequate motor torque.

Switches (All switches are UL and CSA approved)

V1 – 10 Amperes

- UL rated 10 amperes nominal @ .75 power factor.
- ½ horsepower at 125/250 VAC.
- Enclosed, snap-action, sub-basic size.
- .187 male push-on terminals.
- Form C – SPDT.

W2 – 15 Amperes

- UL rated 15 amperes nominal @ .75 power factor.
- ½ horsepower at 125/250 VAC.
- Enclosed, snap-action, sub-basic size.
- .250 Male push-on terminals.
- Form C – SPDT.

H2 – 21 Amperes (UL only)

- UL rated 21 amperes nominal @250VAC.
- 1hp @ 125 VAC, 2hp @ 250VAC.
- Enclosed, snap-action, sub-basic size.
- .250 male push-on terminals.

Life Expectancy

The life of a switch is a function of the type, magnitude, and number of usages under an applied electrical load. At low electrical load 95% survival is expected at 10,000,000 operations, at full electrical load 95% survival is expected at 150,000 operations, subject to inrush considerations and type of load as to resistive, inductive, or capacitive. Particular attention should be given for high inrush applications such as heaters or lamps as might weld, erode, or cavitate switch contacts. We will gladly assist customers in making a selection.

Camshaft Speed (Time per Cycle)	No. of Switch Operations in One Year	
	Continuous Operation	Fifty 40-hour Weeks
1 sec.	31,557,600	7,200,000
15 sec.	2,103,840	480,000
30 sec.	1,051,920	240,000
1 min.	525,960	120,000
15 min.	35,064	8,000
30 min.	17,532	4,000
1 hr.	8,766	2,000
15 hrs.	584	133
30 hrs.	292	67

MADE IN USA

AMERICAN CONTROL PRODUCTS

A DIV. OF PRECISION TIMER CO., INC.
47 WESTBROOK INDUSTRIAL PARK ROAD
WESTBROOK, CT. 06498

PHONE: (860)399-6253

FAX: (860)399-5619

EMAIL: info@precisiontimer.com
WEB SITE: www.precisiontimer.com

TECHNICAL BULLETIN

POWER HEADS

PAGE 2
OF 2

DATE
3/22/04

030

REV