



# TIMING MODULE

FULLY SOLID STATE

CONFORMAL COATED

ONE AMPERE DC LOAD RATING

## Series 6UT3 - INTERVAL ON

CMOS DIGITAL CIRCUITRY

- Life Expectancy –unlimited
- Environment Protected
- Tamper Proof
- No False Operate
- Small Size – 2"x 2" x 53/64"
- Lightweight – approximately 2.5 oz.
- Input DC Only

Application of power simultaneously initiates timing of the preset interval and turns ON the load. At the end of the timed period the output transistor is driven to the off state, turning the load OFF. Power to the timer must be applied continuously throughout the timing period. Removal of power causes the timer to reset. The next cycle can then be initiated by re-application of power. Control the timing of valves, small DC motors, lamps, relays, and actuators rated less than 1 ampere resistive. CMOS digital circuitry, with an NPN transistor output. P/C boards and timing components are conformal coated with a moisture material protective material. Available in 3 standard DC voltages with fixed or adjustable timing from 1 second to 6 hours.

### TIMING DIAGRAM



### SPECIFICATIONS

1. Repeat Accuracy:  $\pm 0.1\%$
2. Combined Effect of Temperature and Voltage upon Repeat Accuracy:  $\pm 1\%$  of Setting
3. Reset Time: 150 ms.
4. Operating Voltage Tolerance:  $\pm 20\%$
5. Load Current: Steady State 1 Ampere DC Max. Inrush 10 Amp
6. Dielectric Strength: 1500 VRMS
7. Insulation Resistance: 100 Megohms Min.
8. Input Transient Protection: MOV
9. Temperature Ambients: Operating  $-40^{\circ}\text{C}$  to  $+70^{\circ}\text{C}$ , Storage  $-55^{\circ}\text{C}$  to  $+70^{\circ}\text{C}$
10. Humidity-Operating: 95% Relative
11. Linearity(Option A or D):  $\pm 5\%$  Minimum from 10% to 90% of range
12. Timing Tolerance:  $\pm 9\%$  + Tolerance of Rt Std.,  $\pm 5\%$  Special (Fixed)

### HOW TO ORDER 6UT3 – (T) (V) (P)

SERIES	(T) = TIME RANGE	(V)=VOLTAGE	(P) = OPTIONS
6UT3	1 = 1 - 10 SEC.** 2 = 1 - 100 SEC. K = 1.2 - 120 SEC. F = 2 - 180 SEC. E = 3 - 300 SEC. 3 = 10 - 1000 SEC. 4 = 0.1 - 10 MIN. G = 0.3 - 30 MIN. H = 0.6 - 60 MIN. 5 = 1 - 100 MIN. V = 3 - 300 MIN. W = 4 - 360 MIN.	1 = 12VDC 2 = 24VDC 3 = 48VDC	O - CUSTOMER SUPPLIES OWN POTENTIOMETER OR RESISTOR A - POTENTIOMETER SUPPLIED AS LOOSE PART *C - FACTORY FIXED INTERNAL
	**USE 100K Pot		* For Fixed Time Specify The Value In

MADE IN USA

**EXAMPLE P/N: 6UT3-450** This is an INTERVAL ON 1A Rated Solid State Timer with an adjustable .1 – 10 minute DELAY and an INPUT VOLTAGE of 120 VAC. The customer will supply the time adjust potentiometer or resistor.

#### AMERICAN CONTROL PRODUCTS

A DIV. OF PRECISION TIMER CO., INC.  
47 WESTBROOK INDUSTRIAL PARK ROAD  
WESTBROOK, CT. 06498

PHONE: (860)399-6253  
EMAIL: info@precisiontimer.com

FAX: (860)399-5619  
Web Site: precisiontimer.com

#### TECHNICAL BULLETIN

#### SOLID STATE TIMING MODULE

PAGE 1  
OF 2

DATE  
6-4-01

**6UT3**

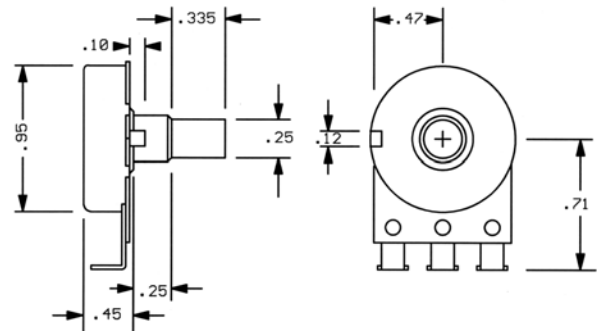
REV  
B

## CALIBRATION RESISTANCE VS TIME

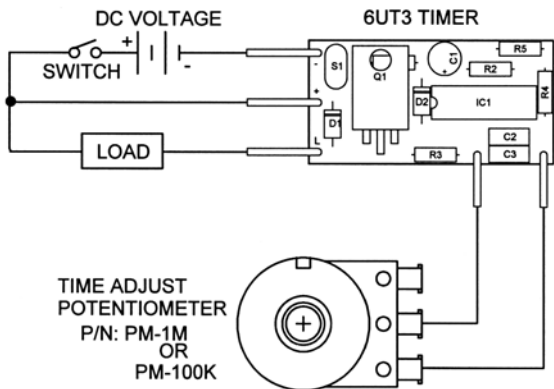


## ACCESSORIES – AVAILABLE FROM STOCK

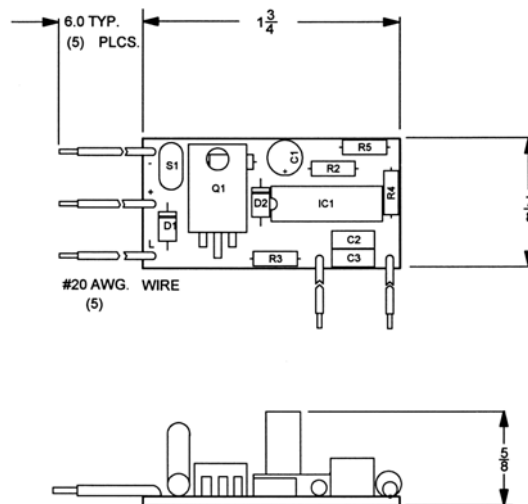
ORDER P/N: **PM – 1M 1 MEGOHM ± 20%**  
**PM – 100K 100 KOHM ± 20%**



## TYPICAL WIRING



## OUTLINE DRAWING



**MADE IN USA**

### AMERICAN CONTROL PRODUCTS

A DIV. OF PRECISION TIMER CO., INC.  
 47 WESTBROOK INDUSTRIAL PARK ROAD  
 WESTBROOK, CT. 06498

PHONE: (860)399-6253  
 EMAIL: info@precisiontimer.com

FAX: (860)399-5619  
 Web Site: precisiontimer.com

### TECHNICAL BULLETIN

### SOLID STATE TIMING MODULE

PAGE 2  
 OF 2

DATE  
 6-4-01

**6UT3**

REV  
 B