

HIGH CURRENT TIMING MODULE

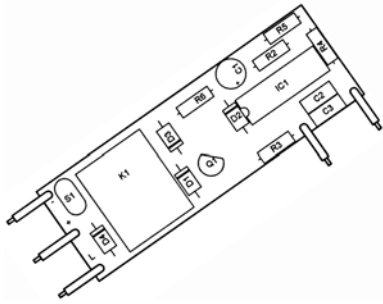
SOLID STATE

CONFORMALLY COATED

10 AMPERE DC LOAD RATING

Series 8UT3 - INTERVAL ON

CMOS DIGITAL CIRCUITRY



- Life Expectancy –unlimited
- Environment Protected
- Tamper Proof
- No False Operate

- Small Size – 1 3/4" x 7/8" x 5/8"
- Lightweight – approximately 1.3 oz.
- Input DC Only

Application of power simultaneously initiates timing of the preset interval energizing the output relay and turning the load ON. At the end of the timed period the output relay is de-energized, turning the load OFF. Power to the timer must be applied continuously throughout the timing period. Removal of power causes the timer to reset. The next cycle can then be initiated by re-application of power.

Control the timing of heaters, DC motors, lamps, relays, magnetic line starters, and other high current loads rated less than 10 ampere resistive. CMOS digital circuitry, is combined with a high current miniature relay. P/C board and components are conformally coated with a moisture protective material. Available in 3 standard DC voltages with fixed or externally adjustable timing from 1 second to 6 hours.

TIMING DIAGRAM



SPECIFICATIONS

1. Repeat Accuracy: $\pm 0.25\%$
2. Combined Effect of Temperature and Voltage upon Repeat Accuracy: $\pm 2\%$
3. Reset Time: 150 ms.
4. Operating Voltage Tolerance: $\pm 20\%$
5. Load Current: Steady State 10 Ampere at 24 VDC
6. Dielectric Strength: 1500 VRMS
7. Insulation Resistance: 100 Megohms Min.
8. Input Transient Protection: MOV
9. Temperature Ambients: Operating -40°C to $+70^{\circ}\text{C}$, Storage -55°C to $+70^{\circ}\text{C}$
10. Humidity-Operating: 95% Relative
11. Linearity(Option A): $\pm 5\%$ Minimum from 10% to 90% of range
12. Timing Tolerance: $\pm 9\%$ + Tolerance of Rt Std., $\pm 5\%$ Special (Fixed)

HOW TO ORDER 8UT3 – (T) (V) (P)

SERIES	(T) = TIME RANGE	(V)=VOLTAGE	(P) = OPTIONS
8UT3	1 = 1 - 10 SEC.	1 = 12VDC	O - CUSTOMER SUPPLIES OWN POTENTIOMETER OR RESISTOR A - POTENTIOMETER SUPPLIED AS LOOSE PART *C - FACTORY FIXED
	2 = 1 - 100 SEC.	2 = 24VDC	
	K = 1.2 - 120 SEC.	3 = 48VDC	
	F = 2 - 180 SEC.		
	E = 3 - 300 SEC.		
	3 = 10 - 1000 SEC.		
	4 = 0.1 - 10 MIN.		
	G = 0.3 - 30 MIN.		
	H = 0.6 - 60 MIN.		
	5 = 1 - 100 MIN.		
	V = 3 - 300 MIN.		
	W = 4 - 360 MIN.		

** For Fixed Time Specify The Value In Seconds, Minutes, Or Hours*

MADE IN USA

EXAMPLE P/N: 8UT3-41C/45SEC This is an INTERVAL ON 10A Rated Solid State Timer with a fixed 45 second DELAY and an INPUT VOLTAGE of 12 VDC. The time is factory fixed.

AMERICAN CONTROL PRODUCTS

A DIV. OF PRECISION TIMER CO., INC.
47 WESTBROOK INDUSTRIAL PARK ROAD
WESTBROOK, CT. 06498

PHONE: (860)399-6253
EMAIL: info@precisiontimer.com

FAX: (860)399-5619
Web Site: precisiontimer.com

TECHNICAL BULLETIN

SOLID STATE TIMING MODULE

PAGE 1
OF 2

DATE
9-4-01

8UT3

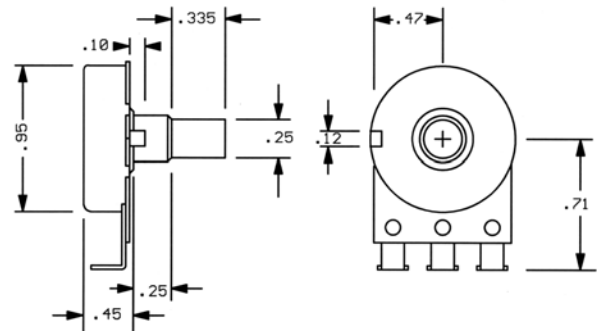
REV
B

CALIBRATION RESISTANCE VS TIME

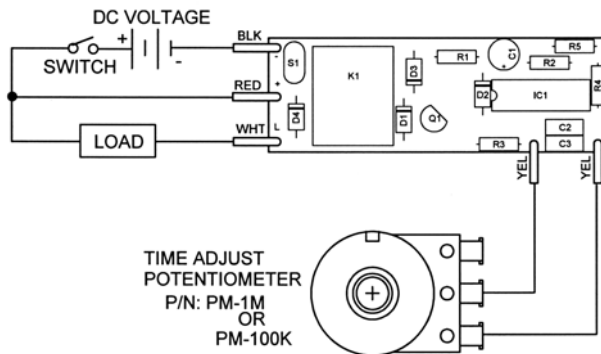


ACCESSORIES – AVAILABLE FROM STOCK

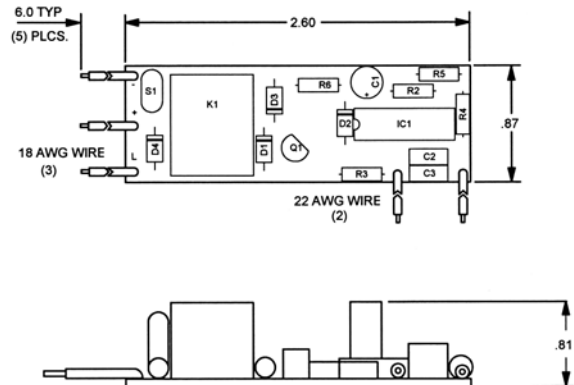
ORDER P/N: **PM – 1M 1 MEGOHM ± 20%**
PM – 100K 100 KOHM ± 20%



TYPICAL WIRING



OUTLINE DRAWING



MADE IN USA

AMERICAN CONTROL PRODUCTS

A DIV. OF PRECISION TIMER CO., INC.
 47 WESTBROOK INDUSTRIAL PARK ROAD
 WESTBROOK, CT. 06498

PHONE: (860)399-6253
 EMAIL: info@precisiontimer.com

FAX: (860)399-5619
 Web Site: precisiontimer.com

TECHNICAL BULLETIN

SOLID STATE TIMING MODULE

PAGE 2
 OF 2

DATE
 9-4-01

8UT3

REV
 B