

COUNTING MODULE

FULLY SOLID STATE ENCAPSULATED

SERIES BC6 - BINARY COUNTER

CMOS DIGITAL CIRCUITRY

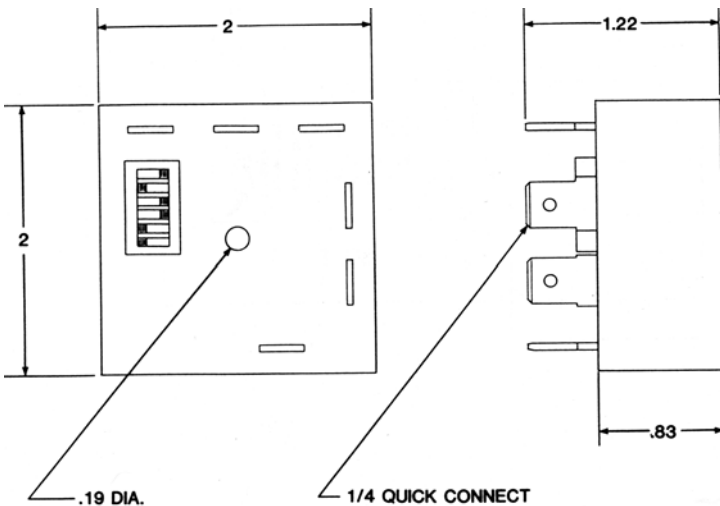


- Life Expectancy –unlimited
- Environment Protected
- Tamper Proof
- No False Operate
- Small Size – 2"x 2" x 53/64"
- Lightweight – approximately 2.5 oz.
- Rugged
- Transient Protected

The BC6 is a switch settable predetermined binary counter. It can be preset to accept up to 63 counts by means of the on board 6 position DIP switch. Each closure of the external count switch at the counter terminals 6 and 1 will cause the count to advance. A momentary output pulse will appear at terminal 7 when the number of switch closures equals the preset count.

The count is preset by moving 1 or more DIP switch actuators to the ON position. For example setting the 1, 2 & 4 actuators to the ON position will require a total of 7 count switch closures to produce an output pulse. Note that 1 + 2 + 4 = 7 which is the preset count. Each closure of the external count switch causes the count to advance. When the closures have accumulated to equal the DIP switch preset count, the output turns on briefly and the counter will automatically reset. The output is an isolated 80 Ma pulse for the BC6-2. The output for the BC6-1 is a 12VDC, 3 Ma pulse. The counter is intended as an initiate source for small solenoids, relays and timers. The counter DIP switch settings are combined and summed at any preset count between 1 and 63.

OUTLINE DRAWING



SPECIFICATIONS

1. Operating Voltage Tolerance: $\pm 20\%$.
2. Reset Time: 150 ms max.
3. Load Current: Pulse BC6-1, 3 ma @ 12VDC, BC6-2, 80 ma max.
4. Leakage Current: 5 ma.
5. Dielectric Strength: 1500 VRMS.
6. Insulation Resistance: 100 Megohms Min.
7. Input Transient Protection: 3000v at 120V input, 6000v at 240v input.
8. Temperature Ambients: Operating -40°C to +75°C, Storage -55°C to +85°C
9. Humidity-Operating: 95% Relative

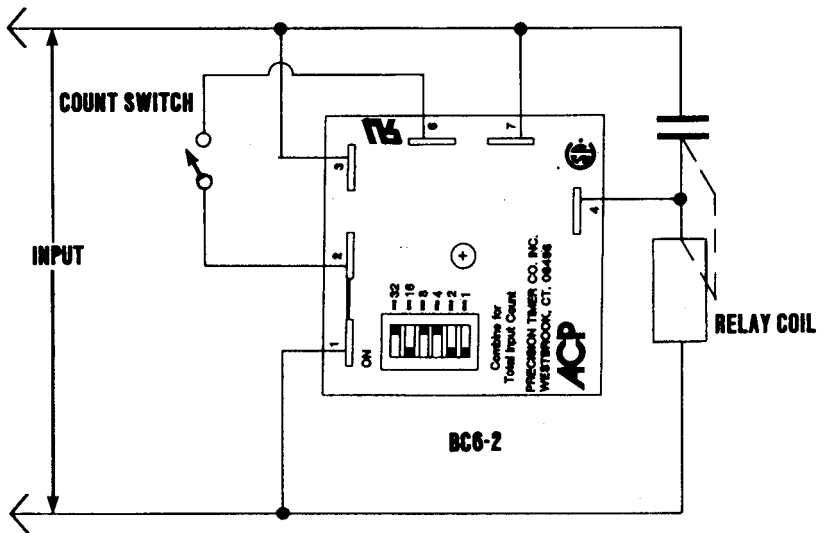
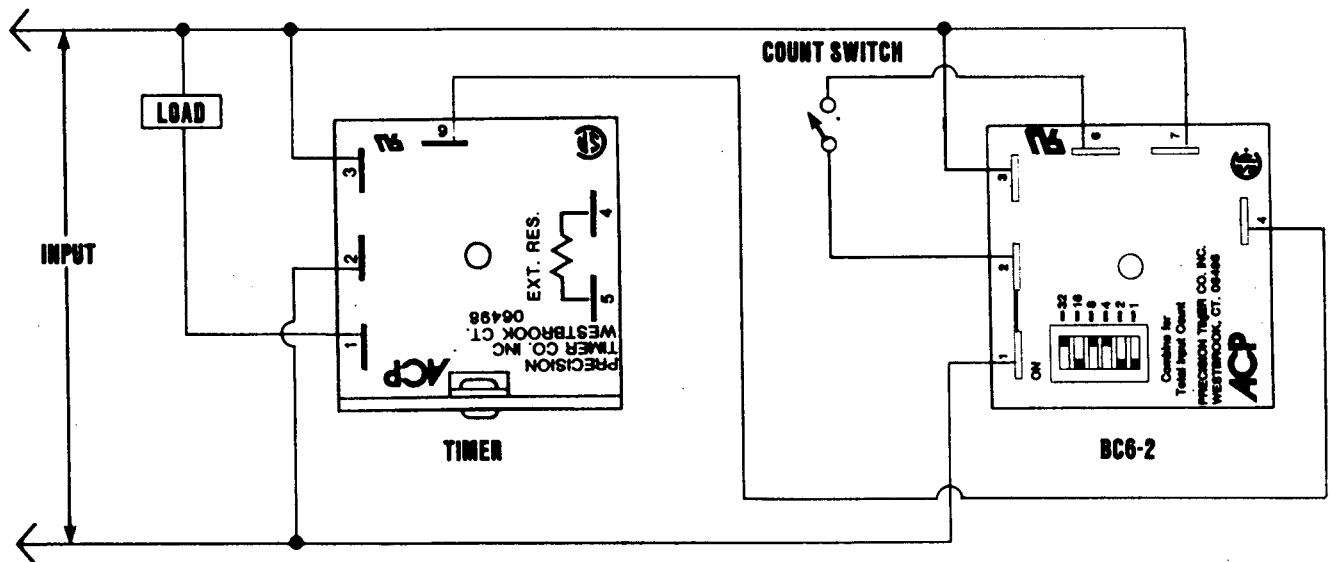
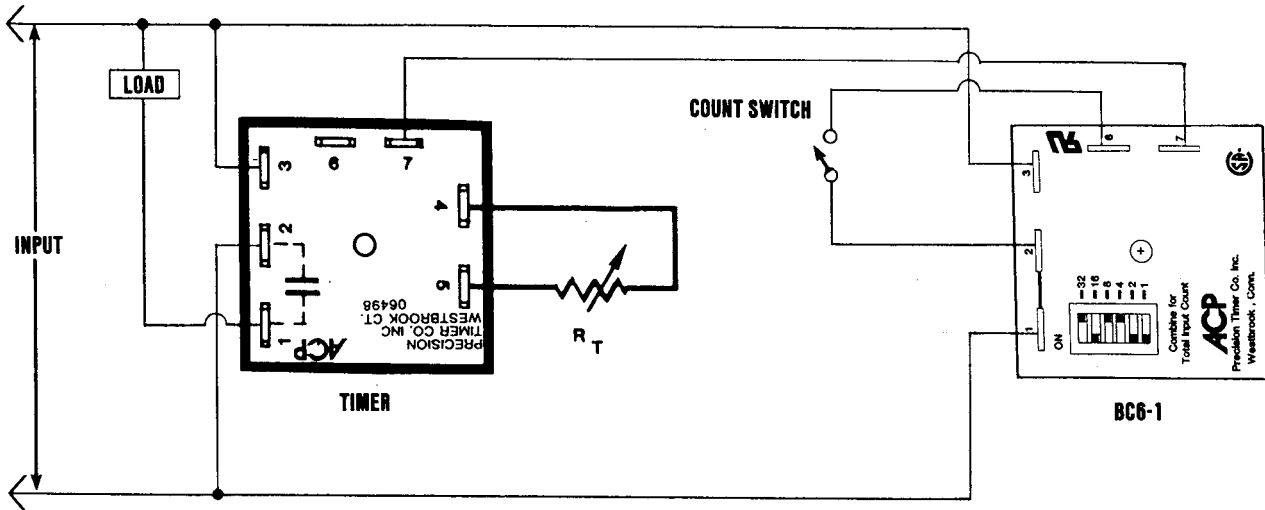
HOW TO ORDER		BC6 - 11 or BC6 - 2 (V)
SERIES	(V)=VOLTAGE	
BC6-2		1 = 12VDC 2 = 24VDC 3 = 48VDC 4 = 24VAC 5 = 120VAC 6 = 240VAC

MADE IN USA

EXAMPLE P/N: BC6-11 This is a Binary Counter with an INPUT VOLTAGE of 12 VDC. This is the only model for the BC6-1.

AMERICAN CONTROL PRODUCTS A DIV. OF PRECISION TIMER CO., INC. 47 WESTBROOK INDUSTRIAL PARK ROAD WESTBROOK, CT. 06498 PHONE: (860)399-6253 FAX: (860)399-5619 EMAIL: info@precisiontimer.com Web Site: precisiontimer.com		TECHNICAL BULLETIN <hr/> SOLID STATE TIMING MODULE			
PAGE 1 OF 2	DATE 3/22/04	BC6	REV		

TYPICAL WIRING DIAGRAMS



MADE IN USA

AMERICAN CONTROL PRODUCTS

A DIV. OF PRECISION TIMER CO., INC.
47 WESTBROOK INDUSTRIAL PARK ROAD
WESTBROOK, CT. 06498

PHONE: (860)399-6253

EMAIL: info@precisiontimer.com
WEB SITE: www.precisiontimer.com

FAX: (860)399-5619

TECHNICAL BULLETIN

SOLID STATE TIMING MODULE

PAGE
OF

DATE
3/22/04

BC6

REV