

TIMING MODULE

UL **SP**
E75633 LR46938

FULLY SOLID STATE ENCAPSULATED
ONE AMPERE LOAD RATING

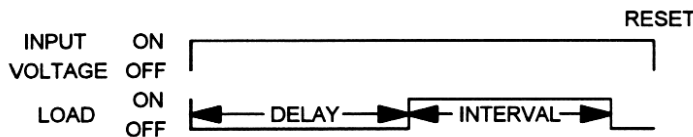
Series 6013 - DELAYED INTERVAL CMOS DIGITAL CIRCUITRY

- Life Expectancy –unlimited
- Environment Protected
- Tamper Proof
- No False Operate
- Small Size – 2"x 2" x 53/64"
- Lightweight – approximately 2.5 oz.
- Rugged

Application of power simultaneously initiates timing of the preset OFF time delay (T1) after which the timer's switch is activated turning the load ON for the preset ON time delay (T2). At the end of the preset ON time the timer's switch opens, turning the load OFF, resetting the timer. Power to the timer must be applied continuously throughout the timing period. Removal of power causes the timer to reset. The next cycle can then be initiated by application of power. The delay times T1 and T2 are independently adjustable.

Control the timing of valves, SFHP motors, lamps, relays, magnetic line starters, and actuators rated less than 1 ampere (10 amps inrush). CMOS digital circuitry, with solid state output switching. P/C boards and internal components are encapsulated in a flame retardant molded housing, fitted with quick connect wiring terminals. Available in all standard voltages and frequencies. Fixed or adjustable timing from .1 seconds to 24 hours.

TIMING DIAGRAM



SPECIFICATIONS

1. Repeat Accuracy: $\pm 0.1\%$ or 16 ms. Whichever is greater
2. Combined Effect of Temperature and Voltage upon Repeat Accuracy: $\pm 1\%$
3. Reset Time: 150 ms.
4. Operating Voltage Tolerance: $\pm 20\%$
5. Load Current: Steady State – 8 ma. Min., 1 Ampere Max.
6. Voltage Drop: 1.5V Typical at 1 Ampere
7. Leakage Current: 5 ma.
8. Dielectric Strength: 1500 VRMS
9. Insulation Resistance: 100 Megohms Min.
10. Input Transient Protection: 3000V 120V UNITS, 6000V 240V units
11. Temperature Ambients: Operating -40°C to $+70^{\circ}\text{C}$, Storage -55°C to $+70^{\circ}\text{C}$
12. Humidity-Operating: 95% Relative
13. Linearity(Option A or D): $\pm 5\%$ Minimum from 10% to 90% of range
14. Timing Tolerance: $\pm 9\%$ + Tolerance of Rt Std., $\pm 5\%$ Special (Fixed)

HOW TO ORDER 6013 – (T1) (T2) (V) (P)

SERIES	(T1) = INTERVAL	(T2) = DELAY TIME	(V)=VOLTAGE	(P) = OPTIONS
6013	P = 0.1 - 5 SEC.	P = 0.1 - 5 SEC.	1 = 12VDC	O - CUSTOMER SUPPLIES OWN POTENTIOMETER OR RESISTOR A - POTENTIOMETER SUPPLIED AS LOOSE PART *B - EXTERNALLY INSTALLED RESISTOR *C - FACTORY FIXED INTERNAL D - TRIMMER POTENTIOMETER INSTALLED ON TERMINALS R - INTERNAL POTENTIOMETER WITH THRU SHAFT S - INTERNAL POTENTIOMETER WITH SCREWDRIVER SLOT <div style="border: 1px solid black; padding: 5px; text-align: center;">* For Fixed Time Specify The Value In Seconds, Minutes, Or Hours</div> MADE IN USA
	1 = 0.1 - 10 SEC.	1 = 0.1 - 10 SEC.	2 = 24VDC	
	L = 0.2 - 20 SEC.	L = 0.2 - 20 SEC.	3 = 48VDC	
	J = 0.3 - 30 SEC.	J = 0.3 - 30 SEC.	4 = 24VAC	
	M = 0.6 - 60 SEC.	M = 0.6 - 60 SEC.	5 = 120VAC	
	2 = 1 - 100 SEC.	2 = 1 - 100 SEC.	6 = 240VAC	
	K = 1.2 - 120 SEC.	K = 1.2 - 120 SEC.		
	F = 2 - 180 SEC.	F = 2 - 180 SEC.		
	E = 3 - 300 SEC.	E = 3 - 300 SEC.		
	3 = 10 - 1000 SEC.	3 = 10 - 1000 SEC.		
	4 = 0.1 - 10 MIN.	4 = 0.1 - 10 MIN.		
	G = 0.3 - 30 MIN.	G = 0.3 - 30 MIN.		
	H = 0.6 - 60 MIN.	H = 0.6 - 60 MIN.		
5 = 1 - 100 MIN.	5 = 1 - 100 MIN.			
V = 3 - 300 MIN.	V = 3 - 300 MIN.			
6 = 10 - 1000 MIN.	6 = 10 - 1000 MIN.			
D = 1 - 24 HRS.	D = 1 - 24 HRS.			

EXAMPLE P/N: 6013-4550 This is a DELAYED INTERVAL 1A Rated Solid State Timer with an adjustable .1 – 10 minute INTERVAL Time and a 1-100 minute DELAY Time. The INPUT VOLTAGE is 120 VAC. The customer will supply the time adjust potentiometers or resistors.

AMERICAN CONTROL PRODUCTS
A DIV. OF PRECISION TIMER CO., INC.
47 WESTBROOK INDUSTRIAL PARK ROAD
WESTBROOK, CT. 06498

PHONE: (860)399-6253
EMAIL: info@precisiontimer.com

FAX: (860)399-5619
Web Site: precisiontimer.com

TECHNICAL BULLETIN

SOLID STATE TIMING MODULE

PAGE 1
OF 2

DATE
6-4-01

6013

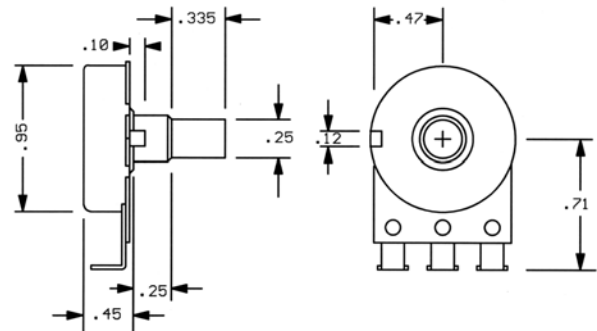
REV
B

CALIBRATION RESISTANCE VS TIME

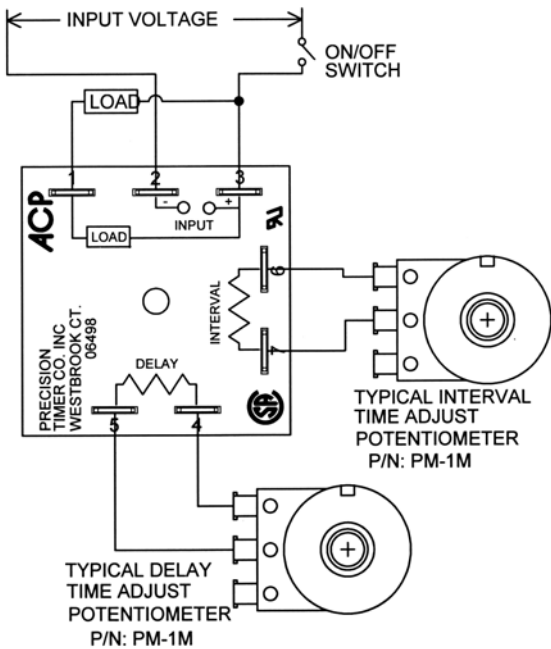


ACCESSORIES – AVAILABLE FROM STOCK

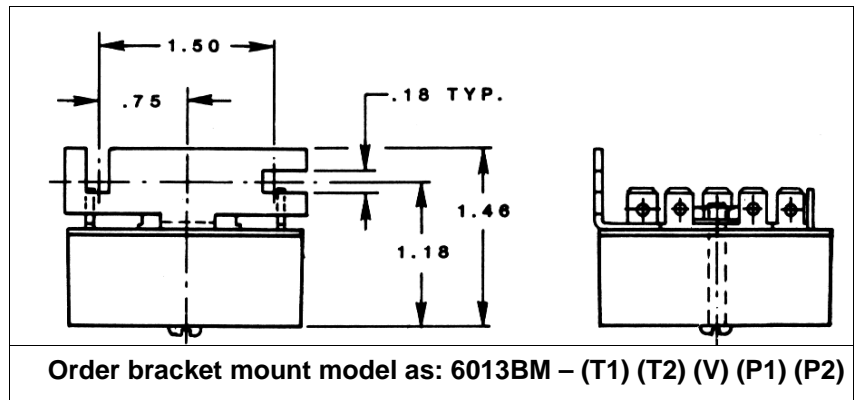
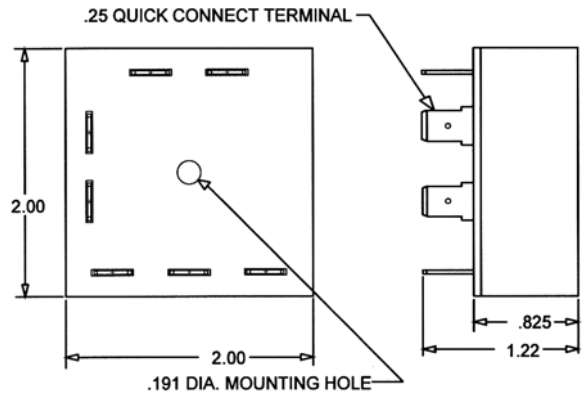
ORDER P/N: **PM – 1M 1 MEGOHM ± 20%**
PM – 100K 100 KOHM ± 20%



TYPICAL WIRING



OUTLINE DRAWING



MADE IN USA

AMERICAN CONTROL PRODUCTS
 A DIV. OF PRECISION TIMER CO., INC.
 47 WESTBROOK INDUSTRIAL PARK ROAD
 WESTBROOK, CT. 06498

PHONE: (860)399-6253
 EMAIL: info@precisiontimer.com

FAX: (860)399-5619
 Web Site: precisiontimer.com

TECHNICAL BULLETIN

SOLID STATE TIMING MODULE

PAGE 2
 OF 2

DATE
 6-4-01

6013

REV
 B