

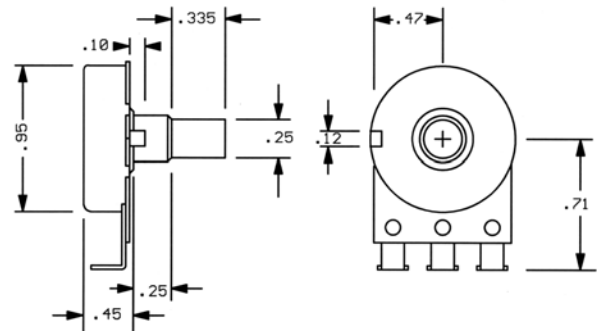


### CALIBRATION RESISTANCE VS TIME

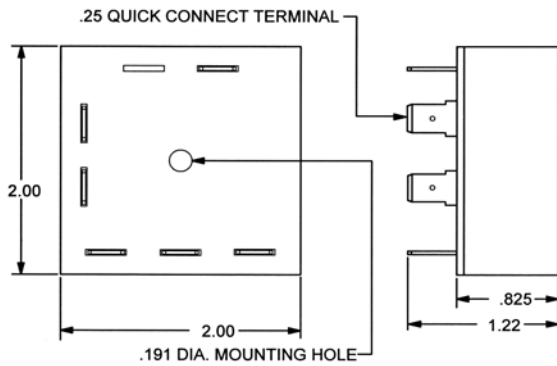


### ACCESSORIES – AVAILABLE FROM STOCK

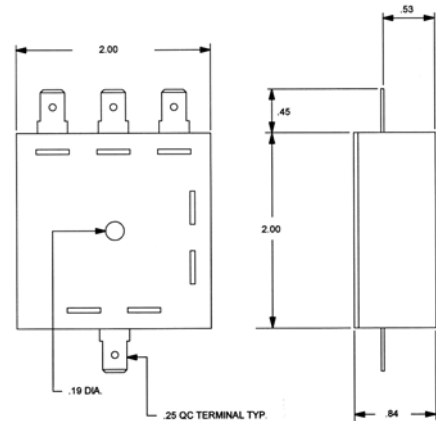
ORDER P/N: **PM – 1M 1 MEGOHM ± 20%**  
**PM – 100K 100 KOHM ± 20%**



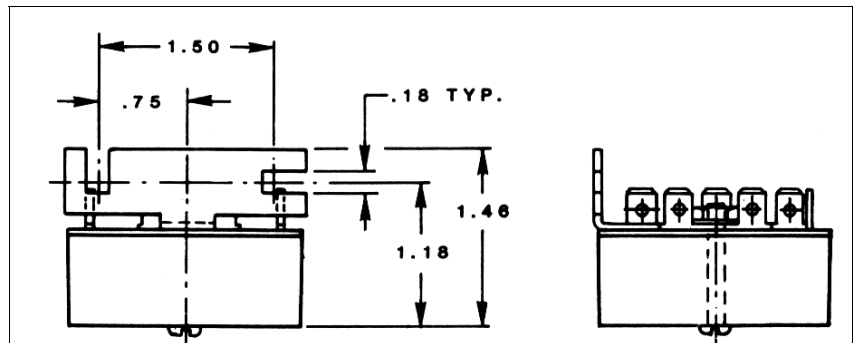
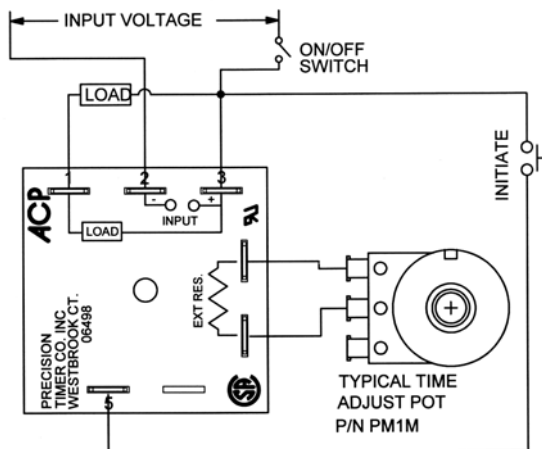
### OUTLINE DRAWING STANDARD CONSTRUCTION



### OUTLINE DRAWING SIDE EXIT H



### TYPICAL WIRING



Order bracket mount model as: **6038BM – (T) (V) (P)**

**MADE IN USA**

### AMERICAN CONTROL PRODUCTS

A DIV. OF PRECISION TIMER CO., INC.  
 47 WESTBROOK INDUSTRIAL PARK ROAD  
 WESTBROOK, CT. 06498

PHONE: (860)399-6253  
 EMAIL: info@precisiontimer.com

FAX: (860)399-5619  
 Web Site: precisiontimer.com

### TECHNICAL BULLETIN

### SOLID STATE TIMING MODULE

PAGE 2  
 OF 2

DATE  
 6-4-01

**6038**

REV  
 B