

TIMING MODULE



FULLY SOLID STATE ENCAPSULATED
ONE AMPERE LOAD RATING

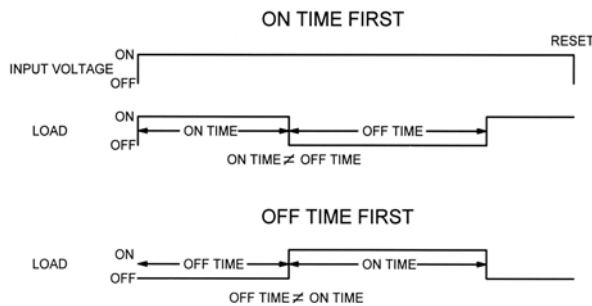
Series 606 - PROGRAMMABLE RECYCLE CMOS DIGITAL CIRCUITRY

- Life Expectancy –unlimited
- Environment Protected
- Tamper Proof
- No False Operate
- Small Size – 2"x 2" x 53/64"
- Lightweight – approximately 2.5 oz.
- Rugged

Application of power simultaneously initiates timing and turns the load ON. The load remains ON for the preset ON time period after which it turns OFF for the preset OFF time period. The ON/OFF cycling continues until power is removed. Removal of power at any point in the cycle will cause reset to T = To. The unit is available with the OFF time first, see the TIMING DIAGRAM and the table below.

Control the timing of valves, SFHP motors, lamps, relays, magnetic line starters, and actuators rated less than 1 ampere (10 amps inrush). CMOS digital circuitry, with solid state output switching. P/C boards and internal components are encapsulated in a flame retardant molded housing, fitted with quick connect wiring terminals. Available in all standard voltages and frequencies. Fixed or adjustable timing from .1 seconds to 24 hours.

TIMING DIAGRAM



SPECIFICATIONS

1. Repeat Accuracy: $\pm 0.1\%$ or 16 ms. Whichever is greater
2. Combined Effect of Temperature and Voltage upon Repeat Accuracy: 1%
3. Reset Time: 150 ms.
4. Operating Voltage Tolerance: $\pm 20\%$
5. Load Current: Steady State – 8 ma. Min., 1 Ampere Max., 10 A Inrush
6. Voltage Drop: 1.5V Typical at 1 Ampere
7. Leakage Current: 5 ma.
8. Dielectric Strength: 1500 VRMS
9. Insulation Resistance: 100 Megohms Min.
10. Input Transient Protection: 3000V 120V UNITS, 6000V 240V units
11. Temperature Ambients: Operating -40°C to +70°C, Storage -55°C to +70°C
12. Humidity-Operating: 95% Relative
13. Linearity (Option A or D): $\pm 5\%$ Minimum from 10% to 90% of range
14. Timing Tolerance: $\pm 9\%$ + Tolerance of Rt Std., $\pm 5\%$ Special (Fixed)

HOW TO ORDER

606 – (T1) (T2) (V) (P1) (P2)

606R (T1) (T2) (V) (P1) (P2)

SERIES	(T1) = ON TIME	(T2) = OFF TIME	(V)=VOLTAGE	OPTIONS (P1) = ON TIME, (P2) = OFF TIME
606 ON FIRST	P = 0.1 - 5 SEC.	P = 0.1 - 5 SEC.	1 = 12VDC	O - CUSTOMER SUPPLIES OWN POTENTIOMETER OR RESISTOR A - POTENTIOMETER SUPPLIED AS LOOSE PART *B - EXTERNALLY INSTALLED RESISTOR *C - FACTORY FIXED INTERNAL D - TRIMMER POTENTIOMETER INSTALLED ON TERMINALS R - INTERNAL POTENTIOMETER WITH THRU SHAFT S - INTERNAL POTENTIOMETER WITH SCREWDRIVER SLOT
	1 = 0.1 - 10 SEC.	1 = 0.1 - 10 SEC.	2 = 24VDC	
	L = 0.2 - 20 SEC.	L = 0.2 - 20 SEC.	3 = 48VDC	
	J = 0.3 - 30 SEC.	J = 0.3 - 30 SEC.	4 = 24VAC	
	M = 0.6 - 60 SEC.	M = 0.6 - 60 SEC.	5 = 120VAC	
	2 = 1 - 100 SEC.	2 = 1 - 100 SEC.	6 = 240VAC	
	K = 1.2 - 120 SEC.	K = 1.2 - 120 SEC.		
	F = 2 - 180 SEC.	F = 2 - 180 SEC.		
	E = 3 - 300 SEC.	E = 3 - 300 SEC.		
	3 = 10 - 1000 SEC.	3 = 10 - 1000 SEC.		
	4 = 0.1 - 10 MIN.	4 = 0.1 - 10 MIN.		
	G = 0.3 - 30 MIN.	G = 0.3 - 30 MIN.		
H = 0.6 - 60 MIN.	H = 0.6 - 60 MIN.			
5 = 1 - 100 MIN.	5 = 1 - 100 MIN.			
V = 3 - 300 MIN.	V = 3 - 300 MIN.			
6 = 10 - 1000 MIN.	6 = 10 - 1000 MIN.			
D = 1 - 24 HRS.	D = 1 - 24 HRS.			
606R OFF FIRST				

** For Fixed Time Specify The Value In Seconds, Minutes, Or Hours*

MADE IN USA

EXAMPLE P/N: 606-3250C/240S This is an PROGRAMMABLE RECYCLE 1A Rated Solid State Timer with a 10-1000 second ADJUSTABLE ON TIME and a fixed 240 second OFF TIME. The INPUT VOLTAGE of 120 VAC. The OFF TIME is FACTORY FIXED INTERNAL calibration. The customer will supply the ON TIME adjust potentiometer or resistor

AMERICAN CONTROL PRODUCTS

A DIV. OF PRECISION TIMER CO., INC.
47 WESTBROOK INDUSTRIAL PARK ROAD
WESTBROOK, CT. 06498

PHONE: (860)399-6253
EMAIL: info@precisiontimer.com

FAX: (860)399-5619
Web Site: precisiontimer.com

TECHNICAL BULLETIN

SOLID STATE TIMING MODULE

PAGE 1
OF 2

DATE
6-4-01

606

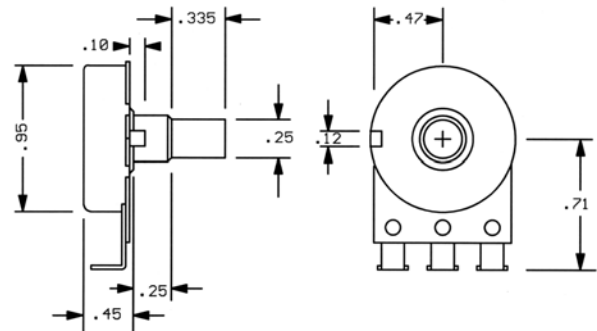
REV
B

CALIBRATION RESISTANCE VS TIME

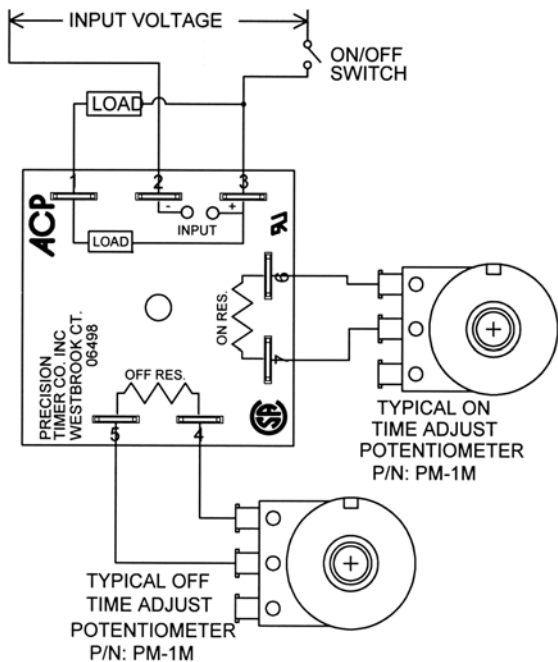


ACCESSORIES – AVAILABLE FROM STOCK

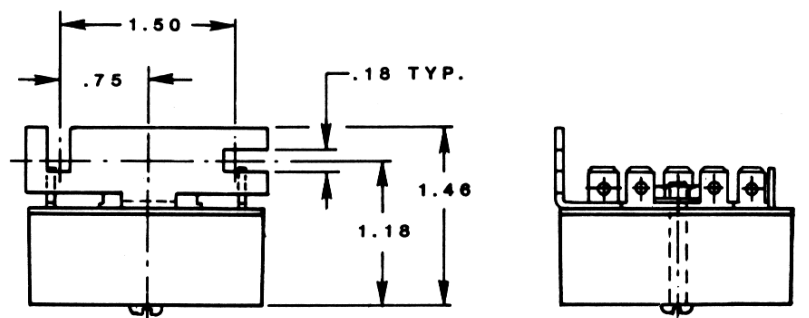
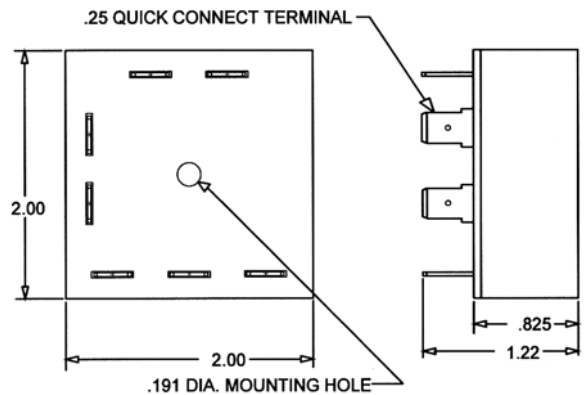
ORDER P/N: **PM – 1M 1 MEGOHM ± 20%**
PM – 100K 100 KOHM ± 20%



TYPICAL WIRING



OUTLINE DRAWING



Order bracket mount model as: **606BM – (T1) (T2) (V) (P1) (P2)**
606RBM (T1) (T2) (V) (P1) (P2)

MADE IN USA

AMERICAN CONTROL PRODUCTS

A DIV. OF PRECISION TIMER CO., INC.
 47 WESTBROOK INDUSTRIAL PARK ROAD
 WESTBROOK, CT. 06498

PHONE: (860)399-6253
 EMAIL: info@precisiontimer.com

FAX: (860)399-5619
 Web Site: precisiontimer.com

TECHNICAL BULLETIN

SOLID STATE TIMING MODULE

PAGE 2
 OF 2

DATE
 6-4-01

606

REV
 B