

# TIMING MODULE

**UL** **SP**  
E75633 LR46938

FULLY SOLID STATE ENCAPSULATED

ONE AMPERE LOAD RATING

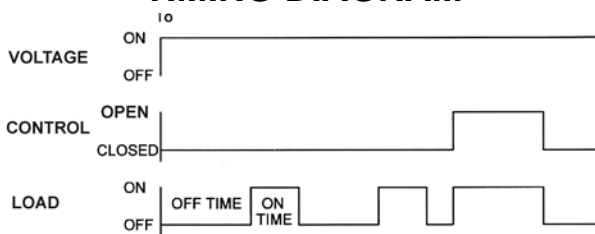
## Series 606S— RECYCLE/CONTROL ON CONTINUOUS CMOS DIGITAL CIRCUITRY

- Life Expectancy –unlimited
- Environment Protected
- Tamper Proof
- No False Operate
- Small Size – 2"x 2" x 53/64"
- Lightweight – approximately 2.5 oz.
- Rugged

Control switch is used to select between output ON continuous, or recycling OFF – ON.

Control the timing of valves, SFHP motors, lamps, relays, magnetic line starters, and actuators rated less than 1 ampere (10 amps inrush). CMOS digital circuitry, with solid state output switching. P/C boards and internal components are encapsulated in a flame retardant molded housing, fitted with quick connect wiring terminals. Available in all standard voltages and frequencies. Fixed timing from 1 second to 24 hours.

### TIMING DIAGRAM



### SPECIFICATIONS

1. Repeat Accuracy:  $\pm 0.1\%$  or 16 ms. Whichever is greater
2. Combined Effect of Temperature and Voltage upon Repeat Accuracy: 1%
3. Reset Time: 150 ms.
4. Operating Voltage Tolerance:  $\pm 20\%$
5. Load Current: Steady State – 8 ma. Min., 1 Ampere Max., 10 A Inrush
6. Voltage Drop: 1.5V Typical at 1 Ampere
7. Leakage Current: 5 ma.
8. Dielectric Strength: 1500 VRMS
9. Insulation Resistance: 100 Megohms Min.
10. Input Transient Protection: 3000V 120V UNITS, 6000V 240V units
11. Temperature Ambients: Operating  $-40^{\circ}\text{C}$  to  $+70^{\circ}\text{C}$ , Storage  $-55^{\circ}\text{C}$  to  $+70^{\circ}\text{C}$
12. Humidity-Operating: 95% Relative
13. Linearity(Option A or D):  $\pm 5\%$  Minimum from 10% to 90% of range
14. Timing Tolerance:  $\pm 9\%$  + Tolerance of Rt Std.,  $\pm 5\%$  Special (Fixed)

### HOW TO ORDER 606S – (V) / (T OFF) (T ON)\*\*

SERIES	(V)=VOLTAGE
<b>606S</b>	1 = 12VDC
	2 = 24VDC
	3 = 48VDC
	4 = 24VAC
	5 = 120VAC
	6 = 240VAC

**\*\*Specify The Time Values In SECONDS, MINUTES, HOURS Between 1 Second & 24 Hours**

**MADE IN USA**

**EXAMPLE P/N: 606S-5/14M60S** This is a RECYCLE/INITIATE ON CONTINUOUS 1A Rated Solid State Timer with an OFF time preset to 14 minutes and an ON time preset to 60 seconds. The INPUT VOLTAGE is 120 VAC.

### AMERICAN CONTROL PRODUCTS

A DIV. OF PRECISION TIMER CO., INC.  
47 WESTBROOK INDUSTRIAL PARK ROAD  
WESTBROOK, CT. 06498

PHONE: (860)399-6253  
EMAIL: info@precisiontimer.com

FAX: (860)399-5619  
Web Site: precisiontimer.com

### TECHNICAL BULLETIN

### SOLID STATE TIMING MODULE

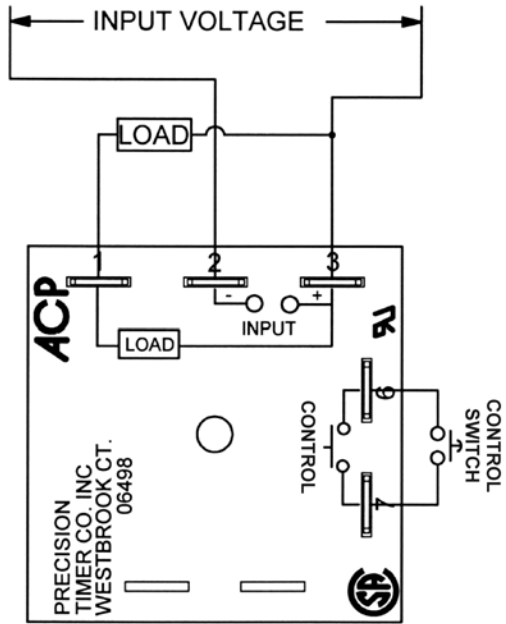
PAGE 1  
OF 2

DATE  
6-4-01

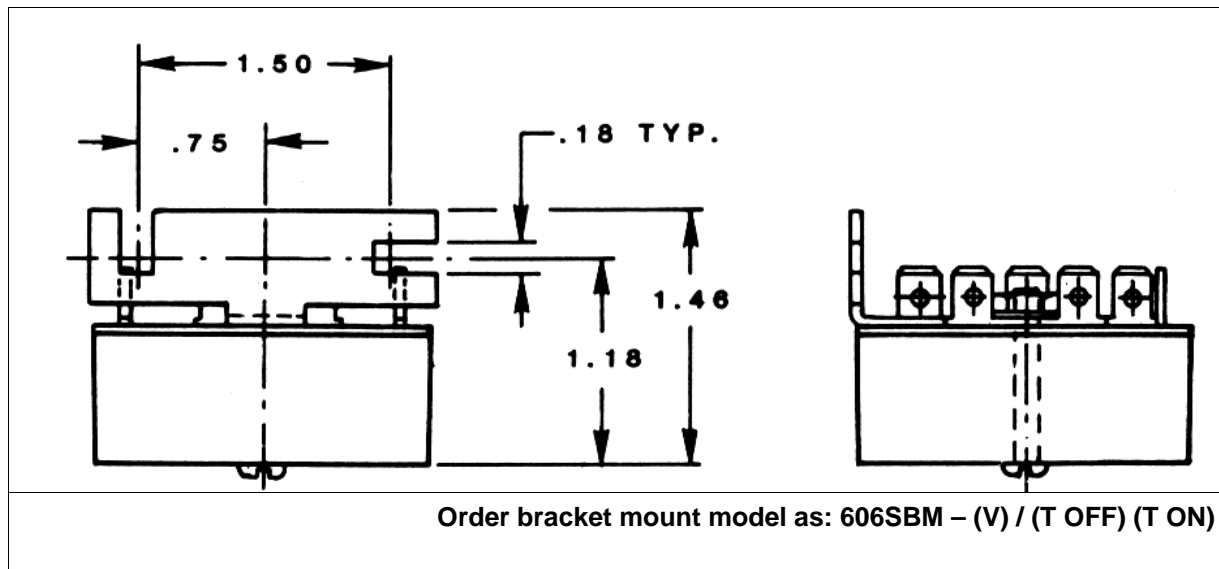
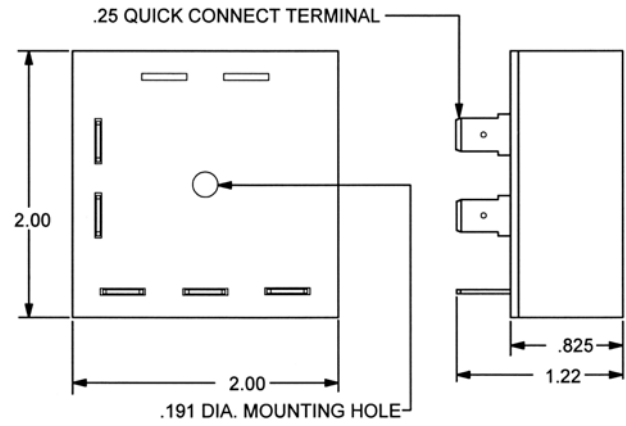
**606S**

REV  
B

### TYPICAL WIRING



### OUTLINE DRAWING



**MADE IN USA**

#### AMERICAN CONTROL PRODUCTS

A DIV. OF PRECISION TIMER CO., INC.  
47 WESTBROOK INDUSTRIAL PARK ROAD  
WESTBROOK, CT. 06498

PHONE: (860)399-6253  
EMAIL: info@precisiontimer.com

FAX: (860)399-5619  
Web Site: precisiontimer.com

#### TECHNICAL BULLETIN

#### SOLID STATE TIMING MODULE

PAGE 2  
OF 2

DATE  
6-4-01

**606S**

REV  
B