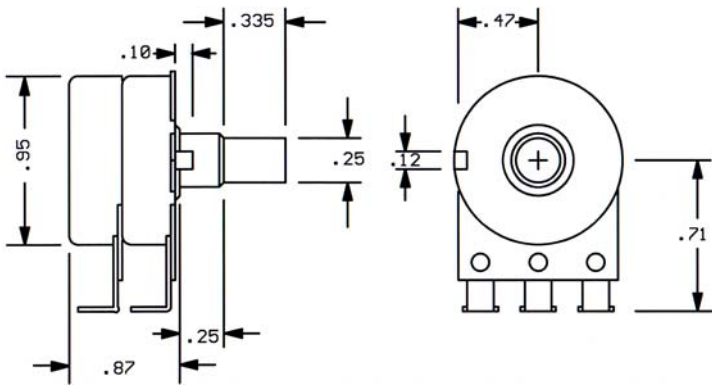
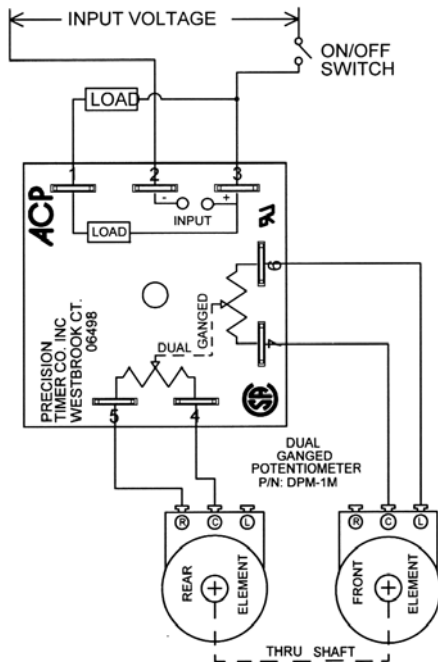


ACCESSORIES – AVAILABLE FROM STOCK

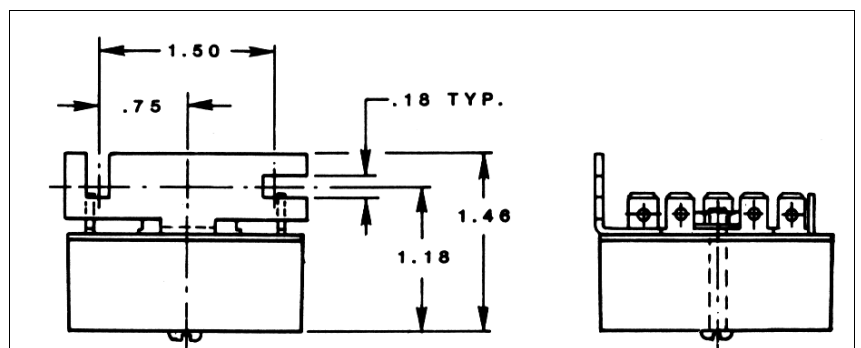
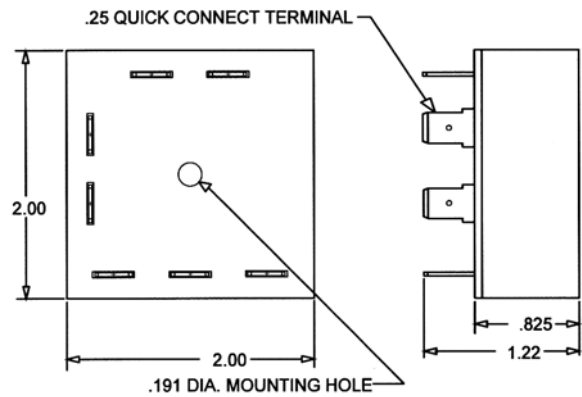
ORDER P/N: DPM – 1M , 1 MEGOHM ± 20%



TYPICAL WIRING



OUTLINE DRAWING



Order bracket mount model as: 607BM – (T) (V) (P)

MADE IN USA

AMERICAN CONTROL PRODUCTS

A DIV. OF PRECISION TIMER CO., INC.
47 WESTBROOK INDUSTRIAL PARK ROAD
WESTBROOK, CT. 06498

PHONE: (860)399-6253
EMAIL: info@precisiontimer.com

FAX: (860)399-5619
Web Site: precisiontimer.com

TECHNICAL BULLETIN

SOLID STATE TIMING MODULE

PAGE 2
OF 2

DATE
6-4-01

607

REV
B