



HORSEPOWER RATED

HIGH CURRENT TIMING RELAY

SOLID STATE ENCAPSULATED MODULE

10 AMPERE RATING 1/3 HP

Series 847B – PERCENT

CMOS DIGITAL CIRCUITRY



E98340



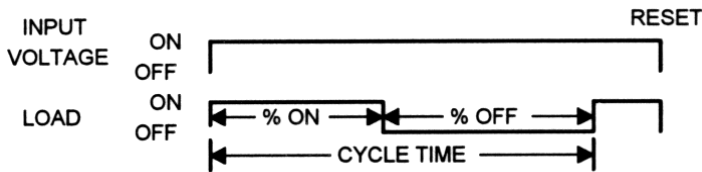
LR46938

- Environment Protected
- Tamper Proof
- No False Operate
- Small Size – 2" x 3" x 1.35"
- Lightweight – approximately 2.5 oz.
- Rugged
- Transient Protected to 6000V

Output contact closes for an adjustable duration of ON time within each consecutive cycle of fixed time. Repeats continuously while energized.

Control the timing of high power electric heaters, FHP motors, lamps, transformers and other high current loads rated less than 10 amps Resistive. CMOS digital circuitry is combined with high current output relay contacts. P/C board and internal components are encapsulated in a flame retardant molded housing, fitted with quick connect wiring terminals. Available in all standard voltages and frequencies. Fixed or adjustable timing from .1 seconds to 24 hours.

TIMING DIAGRAM



SPECIFICATIONS

1. Repeat Accuracy: $\pm 0.25\%$
2. Combined Effect of Temperature and Voltage upon Repeat Accuracy: $\pm 2\%$ of Setting
3. Reset Time: 150 ms.
4. Operating Voltage Tolerance: $\pm 20\%$
5. Load Current: 10 Amps Resistive at 120/240VAC or 28VDC, 1/3HP @ 120/240VAC
6. Dielectric Strength: 1500 VRMS
7. Insulation Resistance: 100 Megohms Min.
8. Input Transient Protection: 3000V 120V UNITS, 6000V 240V UNITS
9. Temperature Ambients: Operating -40°C to +70°C Storage -55°C to +85°C
10. Humidity-Operating: 95% Relative

HOW TO ORDER 847B - (T) (V) (P)

SERIES	(T) = CYCLE TIME	(V)=VOLTAGE	(P1) = ON TIME OPTIONS, (P2) = OFF TIME OPTIONS
847B	P - 5 SEC.	1 = 12VDC	O – CUSTOMER SUPPLIES OWN POTENTIOMETER OR RESISTOR E – DUAL GANGED POTENTIOMETER SUPPLIED
	1 - 10 SEC.	2 = 24VDC	
	L - 20 SEC.	3 = 48VDC	
	J - 30 SEC.	4 = 24VAC	
	M - 60 SEC.	5 = 120VAC	
	2 - 100 SEC.	6 = 240VAC	
	K - 120 SEC.	7 = 110VDC	
	F - 180 SEC.		
	E - 300 SEC.		
	3 - 1000 SEC.		
	4 - 10 MIN.		
	G - 30 MIN.		
	H - 60 MIN.		
5 - 100 MIN.			
V - 300 MIN.			
6 - 1000 MIN.			
D - 24 HRS.			

MADE IN USA

EXAMPLE P/N: 847B-450 This is a PERCENT 10A Rated Timer with an adjustable 10 minute cycle time. The INPUT VOLTAGE is 120 VAC. The DUAL GANGED POTENTIOMETER is supplied.

AMERICAN CONTROL PRODUCTS

A DIV. OF PRECISION TIMER CO., INC.
47 WESTBROOK INDUSTRIAL PARK ROAD
WESTBROOK, CT. 06498

PHONE: (860)399-6253

FAX: (860)399-5619

EMAIL: info@precisiontimer.com

Web Site: precisiontimer.com

TECHNICAL BULLETIN

SOLID STATE TIMING MODULE

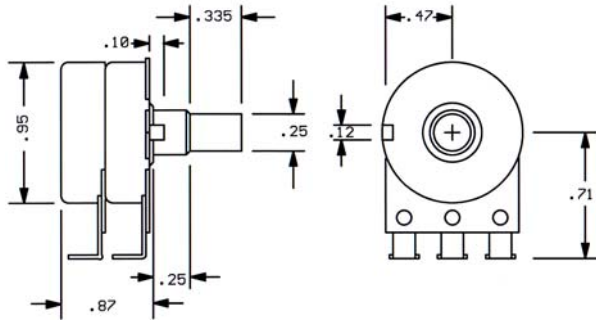
PAGE 1
OF 2

DATE
6-4-01

847B

REV
B

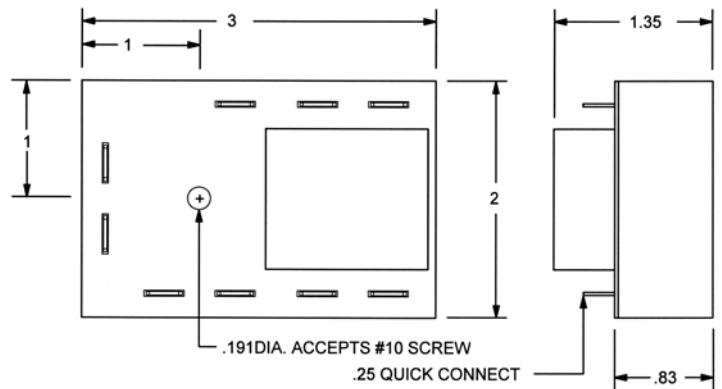
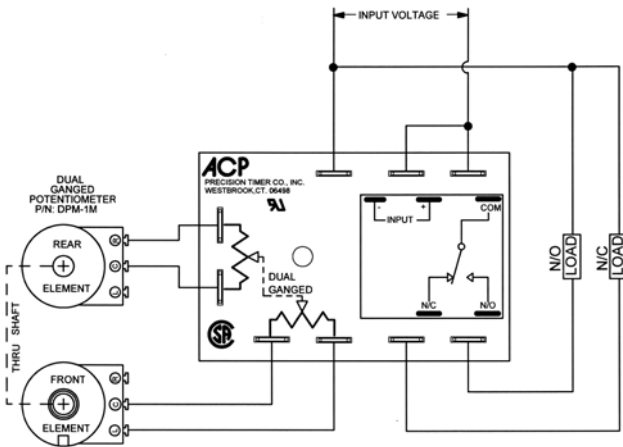
ACCESSORIES – AVAILABLE FROM STOCK



DUAL POTENTIOMETER
 Order P/N: DPM – 1M 1 Megohm ±20%

TYPICAL WIRING

OUTLINE DRAWING



MADE IN USA

AMERICAN CONTROL PRODUCTS
 A DIV. OF PRECISION TIMER CO., INC.
 47 WESTBROOK INDUSTRIAL PARK ROAD
 WESTBROOK, CT. 06498

PHONE: (860)399-6253
 E-MAIL: info@precisiontimer.com

FAX: (860)399-5619
 Web Site: precisiontimer.com

TECHNICAL BULLETIN

SOLID STATE TIMING MODULE

PAGE 2
OF 2

DATE
6-4-01

847B

REV
B