



HORSEPOWER RATED

# HIGH CURRENT TIMING RELAY

MISSING PULSE DETECTOR      ENCAPSULATED MODULE

## 10 AMPERE RATING 1/3 HP

### Series 848B – RETRIGGERABLE ONE SHOT

SOLID STATE                      CMOS DIGITAL CIRCUITRY

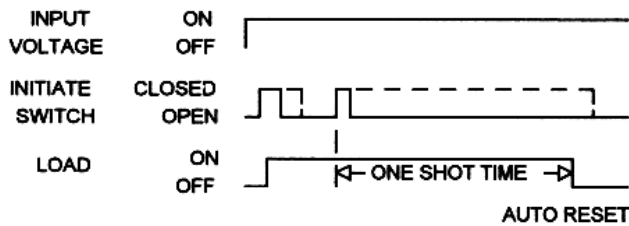


- Environment Protected
- Tamper Proof
- No False Operate
- Small Size – 2" x 3" x 1.35"
- Lightweight – approximately 2.5 oz.
- Rugged
- Transient Protected to 6000V

To operate input voltage is applied continuously. A normally open initiate switch closure (either momentary or maintained) causes the load contact to close, energizing the load and start timing. At the end of the preset delay time period the load is turned OFF. Re-closing the initiate switch during timing causes a new timing period to re-start while not affecting the load contact. The load remains energized until there are no timing interrupts and the preset delay has fully elapsed. This timer is often referred to as a "MISSING PULSE DETECTOR".

Control the timing of high power electric heaters, FHP motors, lamps, transformers and other high current loads rated less than 10 amps Resistive. CMOS digital circuitry is combined with high current output relay contacts. P/C board and internal components are encapsulated in a flame retardant molded housing, fitted with quick connect wiring terminals. Available in all standard voltages and frequencies. Fixed or adjustable timing from .1 seconds to 24 hours.

### TIMING DIAGRAM



### SPECIFICATIONS

1. Repeat Accuracy:  $\pm 0.25\%$
2. Combined Effect of Temperature and Voltage upon Repeat Accuracy:  $\pm 2\%$  of Setting
3. Reset Time: 150 ms.
4. Operating Voltage Tolerance:  $\pm 20\%$
5. Load Current: 10 Amps Resistive at 120/240VAC or 28VDC, 1/3 HP @120/240VAC
6. Dielectric Strength: 1500 VRMS
7. Insulation Resistance: 100 Megohms Min.
8. Input Transient Protection: 3000V 120V UNITS, 6000V 240V UNITS
9. Temperature Ambients: Operating -40°C to +70°C Storage -55°C to +85°C
10. Humidity-Operating: 95% Relative
11. Linearity(Option A or D):  $\pm 5\%$  Minimum from 10% to 90% of range
12. Timing Tolerance:  $\pm 9\%$  + Tolerance of Rt Std.,  $\pm 5\%$  Special (Fixed)

### HOW TO ORDER 848B – (T) (V) (P)

SERIES	(T) = TIME RANGE	(V)=VOLTAGE	(P) = OPTIONS
<b>848B</b>	P = 0.1 - 5 SEC. 1 = 0.1 - 10 SEC. L = 0.2 - 20 SEC. J = 0.3 - 30 SEC. M = 0.6 - 60 SEC. 2 = 1 - 100 SEC. K = 1.2 - 120 SEC. F = 2 - 180 SEC. E = 3 - 300 SEC. 3 = 10 - 1000 SEC. 4 = 0.1 - 10 MIN. G = 0.3 - 30 MIN. H = 0.6 - 60 MIN. 5 = 1 - 100 MIN. V = 3 - 300 MIN. 6 = 10 - 1000 MIN. D = 1 - 24 HRS.	1 = 12VDC 2 = 24VDC 3 = 48VDC 4 = 24VAC 5 = 120VAC 6 = 240VAC 7 = 110VDC	O - CUSTOMER SUPPLIES OWN POTENTIOMETER OR RESISTOR A - POTENTIOMETER SUPPLIED AS LOOSE PART *B - EXTERNALLY INSTALLED RESISTOR *C - FACTORY FIXED INTERNAL D - TRIMMER POTENTIOMETER INSTALLED ON TERMINALS R - INTERNAL POTENTIOMETER WITH THRU SHAFT S - INTERNAL POTENTIOMETER WITH SCREWDRIVER SLOT  <div style="border: 1px solid black; padding: 5px; text-align: center; margin: 10px auto; width: fit-content;"> <i>* For Fixed Time Specify The Value In Seconds, Minutes, Or Hours</i> </div> <p style="text-align: right; font-weight: bold; margin-top: 20px;">MADE IN USA</p>

EXAMPLE P/N: 848B-32C/240SEC This is a RETRIGGERABLE ONE SHOT 10A Rated Timer with a fixed 240 second delay and an INPUT VOLTAGE of 24 VDC. The delay time is internally fixed.

**AMERICAN CONTROL PRODUCTS**  
 A DIV. OF PRECISION TIMER CO., INC.  
 47 WESTBROOK INDUSTRIAL PARK ROAD  
 WESTBROOK, CT. 06498

PHONE: (860)399-6253      FAX: (860)399-5619  
 EMAIL: info@precisiontimer.com      Web Site: precisiontimer.com

### TECHNICAL BULLETIN

### SOLID STATE TIMING MODULE

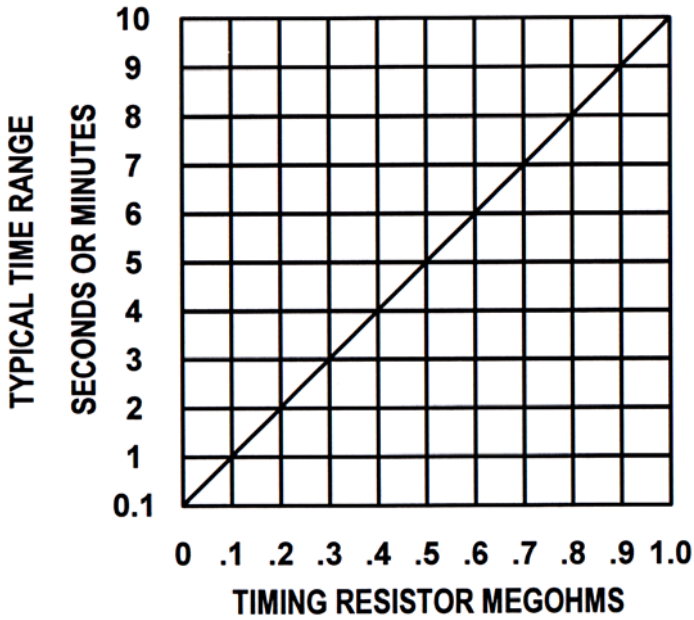
PAGE 1  
OF 2

DATE  
6-4-01

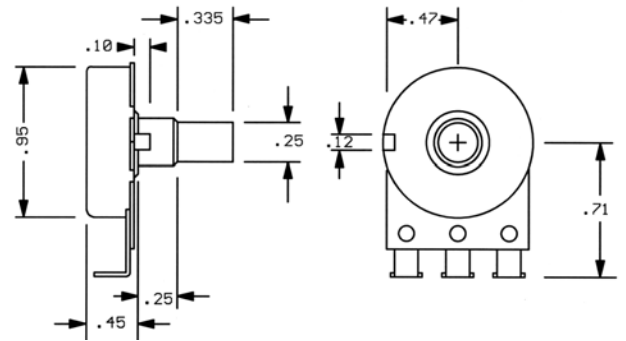
848B

REV  
B

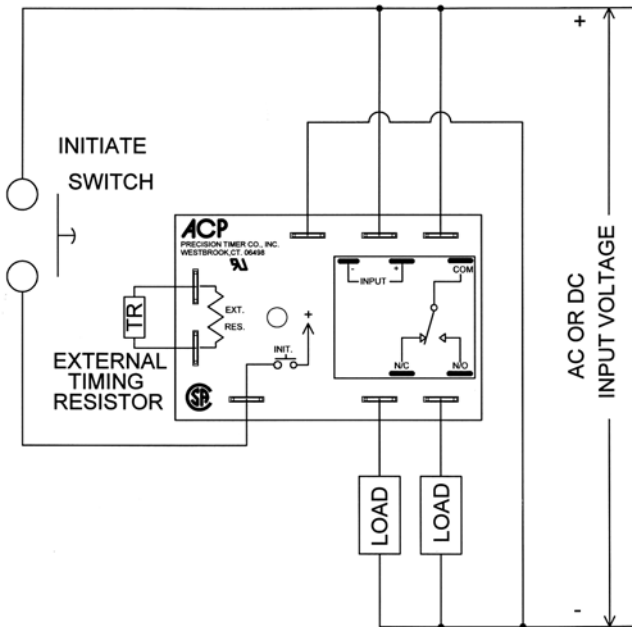
### TYPICAL CALIBRATION RESISTANCE VS TIME



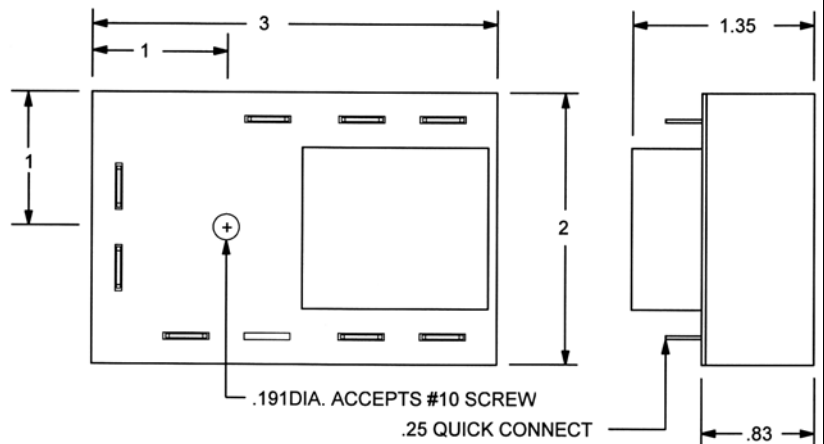
**ACCESSORIES AVAILABLE FROM STOCK**  
**CONTROL POTENTIOMETERS (OPTION A)**  
**ORDER P/N PM-1M 1 MEGOHM ± 20%**



### TYPICAL WIRING



### OUTLINE DRAWING



**MADE IN USA**

**AMERICAN CONTROL PRODUCTS**  
 A DIV. OF PRECISION TIMER CO., INC.  
 47 WESTBROOK INDUSTRIAL PARK ROAD  
 WESTBROOK, CT. 06498

PHONE: (860)399-6253  
 E-MAIL: info@precisiontimer.com

FAX: (860)399-5619  
 Web Site: precisiontimer.com

### TECHNICAL BULLETIN

### SOLID STATE TIMING MODULE

PAGE 2  
 OF 2

DATE  
 6-4-01

**848B**

REV  
 B